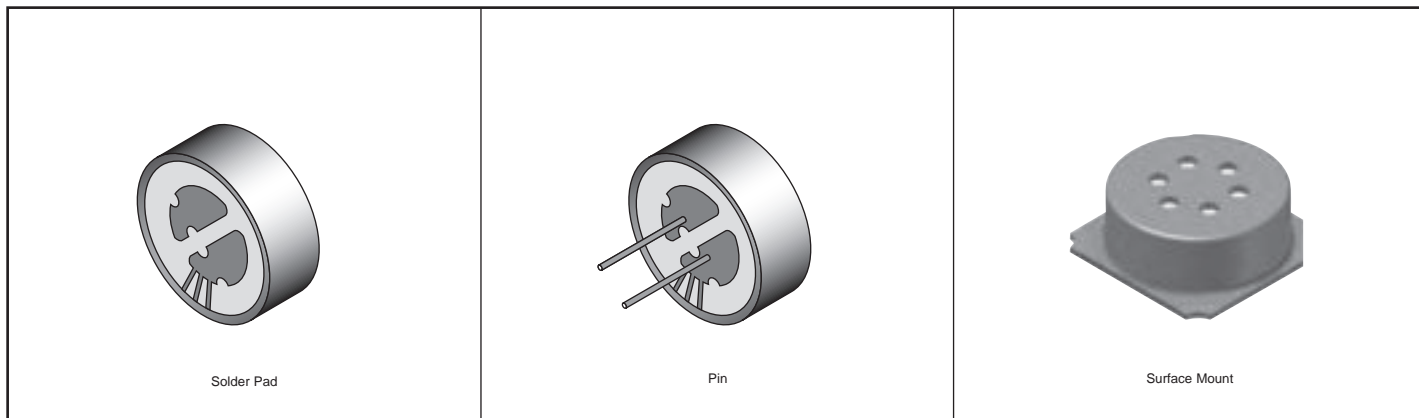


PUI AUDIO Electret Condenser Microphones

RoHS Compliant  This product is RoHS compliant.



ELECTRET CONDENSER MICROPHONES

Features:

- Electret Condenser
- Small in size
- Available in omni-directional, uni-directional and noise canceling
- Available with internal feedback capacitors
- Low power consumption
- Available in multiple mounting types

Applications:

- Hand Held Devices
- Medical equipment and systems
- Security alarms and equipment
- Computer related devices
- Voice-activated equipment

Omni-Directional

For quantities of 500 and up, call for quote.

MOUSER STOCK NO.	PUI Part No.	Terminal Type	Dimensions: mm	Sensitivity (dB)	Impedance (KΩ)	VDC	Washable	Price Each			
								1	25	50	100
665-AOM-6742L-R	AOM-6742L-R	Solder Pad	6.7 x 9.7	-42	2.2	1.5	No	1,03	1,02	0,932	0,721
665-AOM4546LR	AOM-4546L-R	Solder Pad	4.5 x 9.7	-46	2.2	1.5	No	0,69	0,635	0,553	0,479
665-AOM4546PR	AOM-4546P-R	Pin	4.5 x 9.7	-46	2.2	1.5	No	0,73	0,668	0,578	0,495
665-AOM-4544P-2R	AOM-4544P-2-R	Pin	4.5 x 9.7	-44	2.2	1.5	No	0,73	0,668	0,578	0,495
665-AOM-4540L-R	AOM-4540L-R	Solder Pad	6.5 x 9.4	-40	2.2	1.5	No	1,03	1,02	0,932	0,799
665-AOM6545PR	AOM-6545P-R	Pin	5.2 x 6	-45	1	4.5	No	0,73	0,668	0,578	0,495
665-POM5238PR	POM-5238P-R	Pin	3.5 x 6	-38	2.2	2	No	1,20	1,09	0,998	0,85
665-POM3546LR	POM-3546L-R	Solder Pad	3 x 6	-46	2.2	2	No	1,15	1,05	0,908	0,784
665-POM3042LR	POM-3042L-R	Solder Pad	3 x 6	-42	2.2	2	No	1,18	1,07	0,941	0,809
665-POM2744PC33-R	POM-2744P-C33-R	Pin	3.2 x 6	-44	2.2	2	No	2,08	1,91	1,73	1,04
665-POM2738LR	POM-2738L-R	Solder Pad	2.2 x 6	-38	2.2	2	No	1,67	1,61	1,56	1,28
665-POM2738PC33R	POM-2738P-C33-R	Pin	2.7 x 6	-38	2.2	2	No	1,63	1,47	1,30	1,24
665-POM-2738P-R	POM-2738P-R	Pin	2.7 x 6	-38	2.2	2	No	1,75	1,63	1,57	1,28
665-POM-2735P-R	POM-2735P-R	Pin	2.7 x 6	-35	2.2	3	No	1,44	1,28	1,16	0,957
665-POM2246P2R	POM-2246P-2-R	Pin	2.2 x 6	-46	2.2	2	No	1,33	1,21	1,06	0,899
665-POM2246PC33R	POM-2246P-C33-R	Pin	2.2 x 6	-46	2.2	2	No	1,44	1,30	1,14	0,974
665-POM2244LC33R	POM-2244L-C33-R	Solder Pad	2.2 x 6	-44	2.2	2	No	1,44	1,30	1,14	0,974
665-POM2244P2R	POM-2244P-2-R	Pin	2.2 x 6	-44	2.2	2	No	1,33	1,21	1,06	0,899
665-ROM2244PNFR	ROM-2244P-NF-R	Pin	2.2 x 5.8	-44	2.2	2	No	1,33	1,21	1,06	0,982
665-ROM2238PNFR	ROM-2238P-NF-R	Pin	2.2 x 5.8	-38	2.2	2	No	1,33	1,21	1,06	0,982
665-TOM1242LNFR	TOM-1242L-NF-R	Solder Pad	1.2 x 4	-42	2.2	2	No	1,82	1,65	1,44	1,24
665-TOM1545PR	TOM-1545P-R	Pin	1.5 x 4	-45	2.2	2	No	1,67	1,52	1,33	1,14
665-AOW4544PC3310BR	AOW-4544P-C3310-B-R	Pin	4.5 x 9.7	-44	2.2	2	Yes	1,84	1,65	1,47	1,39
665-POW2742PC3310BR	POW-2742P-C3310-B-R	Pin	2.7 x 6	-42	2.2	2	Yes	1,96	1,77	1,57	1,49
665-POW2242LC3310BR	POW-2242L-C3310-B-R	Solder Pad	2.2 x 6	-42	2.2	2	Yes	1,96	1,77	1,57	1,49
665-POW2242PC3310BR	POW-2242P-C3310-B-R	Pin	2.2 x 6	-42	2.1	2	Yes	1,96	1,77	1,57	1,49
665-POW1644LBR	POW-1644L-B-R	Solder Pad	1.6 x 6	-44	2.2	3	Yes	2,43	2,20	1,95	1,85
665-POW1644PBR	POW-1644P-B-R	Pin	1.6 x 6	-44	2.2	3	Yes	2,43	2,20	1,95	1,85
665-POS1644RC33102R	POS-1644R-C3310-2-R	Surface Mount	1.6 x 6.4 x 6.4	-44	2.2	3	No	2,56	2,30	2,05	1,62
665-POS1644RC3310R	POS-1644R-C3310-R	Surface Mount	1.6 x 8.8 x 6.4	-44	2.2	3	No	2,56	2,30	2,05	1,62
665-TOS1844RC33103R	TOS-1844R-C3310-3-R	Surface Mount	1.8 x 4.8 x 4.8	-44	2.2	3	No	2,68	2,42	2,15	1,71

Uni-Directional

For quantities of 500 and up, call for quote.

MOUSER STOCK NO.	PUI Part No.	Terminal Type	Dimensions: mm	Sensitivity (dB)	Impedance (KΩ)	VDC	Washable	Price Each			
								1	25	50	100
665-PUM3046LR	PUM-3046L-R	Solder Pad	3 x 6	-46	2.2	2	No	1,47	1,33	1,17	0,998
665-PUM3546LR	PUM-3546L-R	Solder Pad	3.5 x 6	-46	2.2	2	No	1,47	1,33	1,17	0,998
665-PUM5250LR	PUM-5250L-R	Solder Pad	5.2 x 6	-50	2.2	2	No	1,39	1,26	1,16	1,06
665-DUM5246LR	DUM-5246L-R	Solder Pad	5.2 x 8	-46	2.2	2	No	1,61	1,47	1,35	1,23
665-AUM-5247L-R	AUM-5247L-R	Solder Pad	5.2 x 9.7	-47	0.68	1.5	No	1,63	1,50	1,36	0,817

Noise Canceling

For quantities of 500 and up, call for quote.

MOUSER STOCK NO.	PUI Part No.	Terminal Type	Dimensions: mm	Sensitivity (dB)	Impedance (KΩ)	VDC	Washable	Price Each			
								1	25	50	100
665-TNM3054LR	TNM-3054L-R	Solder Pad	3 x 4.5	-54	2.2	2	No	2,50	2,29	1,32	1,21
665-PNM2751LR	PNM-2751L-R	Solder Pad	2.7 x 6	-51	2.2	2	No	2,00	1,82	1,59	1,34
665-PNM3546LR	PNM-3546L-R	Solder Pad	3.5 x 6	-46	2.2	2	No	1,33	1,21	1,06	0,982
665-PNM5250LR	PNM-5250L-R	Solder Pad	5.2 x 6	-50	2.2	1.5	No	2,23	2,05	1,86	1,11
665-ANM-5254L-R	ANM-5254L-R	Solder Pad	5.2 x 9.7	-54	0.68	1.5	No	0,76	0,693	0,611	0,52